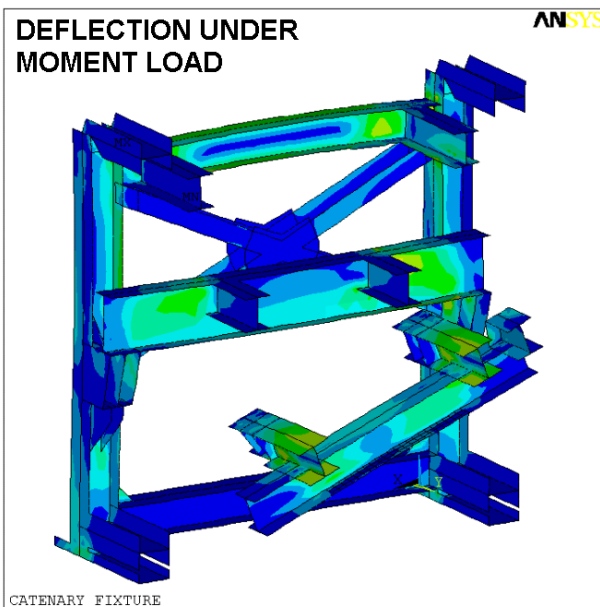
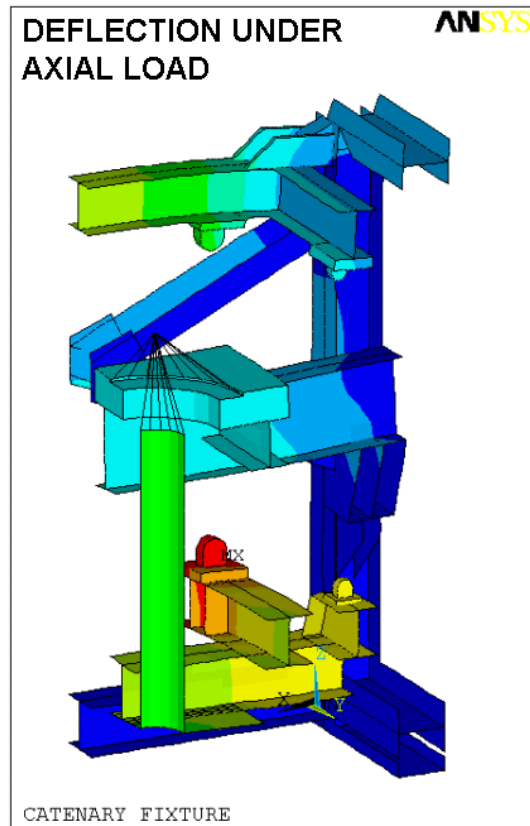
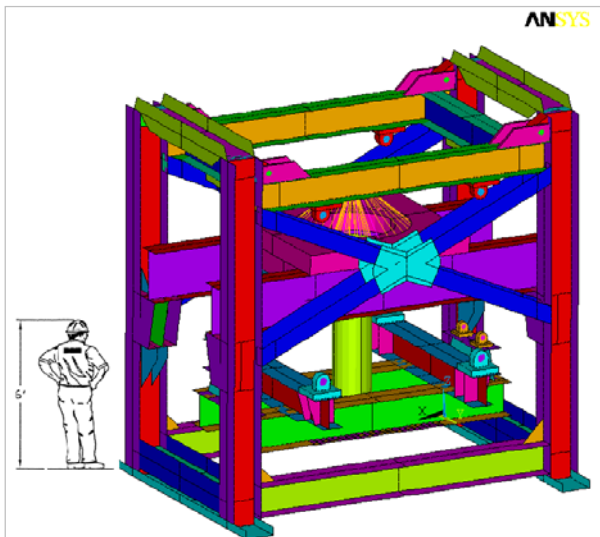


ANALYSIS OF A MILLION LB CATENARY TEST FIXTURE

PURPOSE: Stress analysis of a 1000 Kip Test Fixture for catenary bearings.

A stress analysis was conducted to verify the stresses and welded joints for a 1000 Kip Test Fixture for catenary bearings. The entire model was created with beam and solid elements and actuator was loaded for the maximum permissible axial and cocking loads. The stresses and margins of safety for each part were computed. Welds and connections were checked for allowable stresses.



HLA ENGINEERS, INC.
7267 ENVOY COURT, DALLAS, TX 75247

(214) 267-0930 (214) 267-0970 FAX